

DURA/PLUS Chimney

The ultimate firesafe metal chimney for wood burning stoves and fireplace inserts

PELLET VENT for pellet fueled appliances

SIMPSON Dura-Vent chimney for wood burning and pellet fueled appliances is UL Listed and **WARRANTED FOR 25 YEARS** from the date of installation.

Simpson Dura-Vent chimney products are designed to boost your stove efficiency. An inefficient chimney may cut the efficiency of your new stove by half.



A chimney has two jobs. One is to get rid of smoke. The other is to create the draft that keeps your fires burning.

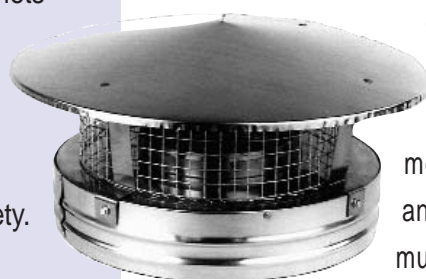
IF YOUR CHIMNEY IS WRONG, THE DRAFT IS WRONG. With too much draft, too much heat is going up the chimney. With too little draft, you get smoky fires that pollute the chimney with creosote (a fire hazard), while polluting the air with smoke. During start-up, the Dura/Plus chimney will warm-up fast and stabilize in minutes, because its insulation does not soak up the heat.

CHIMNEY SIZE IS IMPORTANT. Your chimney pipe diameter must match the size of the stove collar. The stove's collar dimension determines the chimney pipe dimensions. An oversized chimney pulls too much heat into the chimney. An undersize chimney creates too little draft and a smoky burn. Chimney height is important too. If your chimney is too short to create a stable draft, you get a sluggish burn. (Wet wood also causes a sluggish burn.)

VERY TALL CHIMNEYS MAY CAUSE OVERDRAFTING, which can usually be controlled by the stove damper. If not, a special damper is available. Stovepipe runs must be short and direct. A 3-to 7 feet of Dura-Black single-wall stovepipe appears to be about right for most homes. With less than 3 feet, you may overheat the chimney and get overdrafting. With more than 7 feet, you cool the smoke too much and drop your heating efficiency.

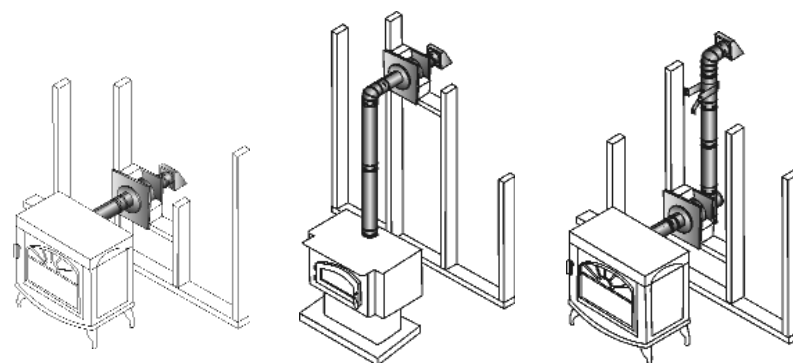
Dura/Plus Chimney does the three things a firesafe metal chimney must do:

- 1 A Dura/Plus chimney stays cool on the outside at all times, to protect the building during normal stove operation.
- 2 Dura/Plus chimney stays hot on the inside to discourage the deposit of creosote, while providing the correct draft for stove efficiency.
- 3 If a red hot creosote chimney fire does erupt, Dura/Plus firesafe design does two things: It lets the hot metal flex and expand freely so the metal cannot warp - - and it cools the chimney. Results - - both chimney and building are protected. Dura/Plus chimney is the only metal chimney that meets these three requirements of chimney fire safety.



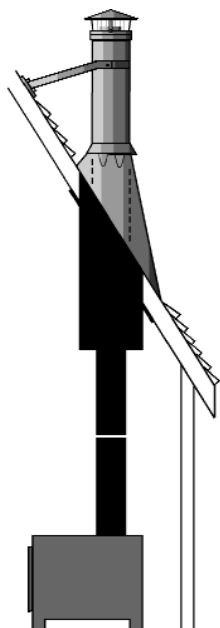
What is your Type Installation?

Each installation can be unique. Shown here is a series of typical installations using Simpson Dura-Vent chimney and stovepipe. A Dura/Plus chimney is firesafe if installed correctly. No chimney is firesafe if you make a careless installation that violates fire codes. Read all manufacturer installation instructions before beginning any installation.

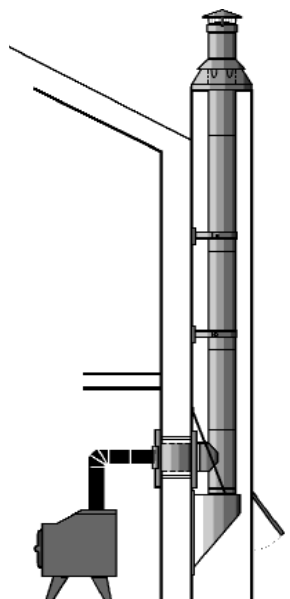


PELLET VENT HORIZONTAL STOVE INSTALLATIONS

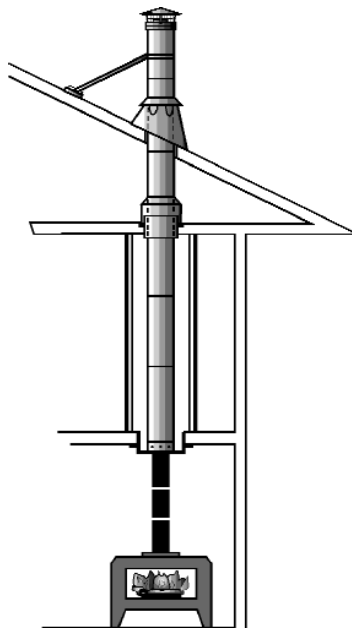
Use Pellet Vent Kit for 3" - 3000 or 4" - 3100



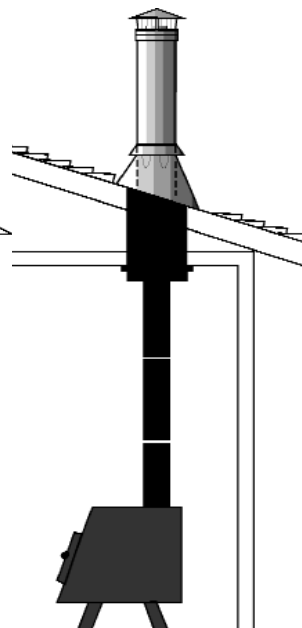
STEEP PITCH ROOF OR "A" FRAME
Chimney is supported by the roof.



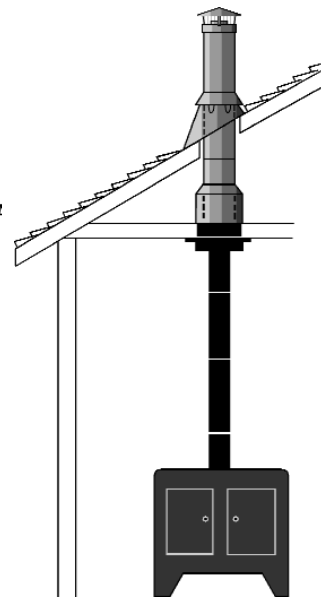
CHIMNEY THROUGH OUTER WALL AND ENCLOSED
Chimney is supported by Tee Support Bracket.



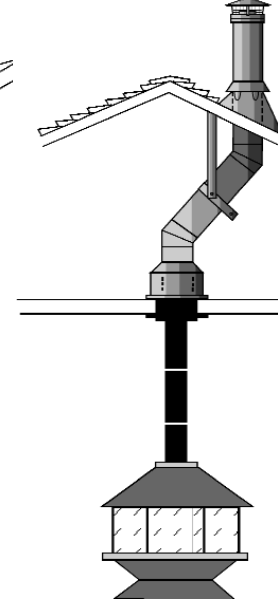
TWO-STORY HOUSE WITH ATTIC
Chimney is supported by ceiling.



MOBILE HOME WITH CHIMNEY
Chimney supported by ceiling.

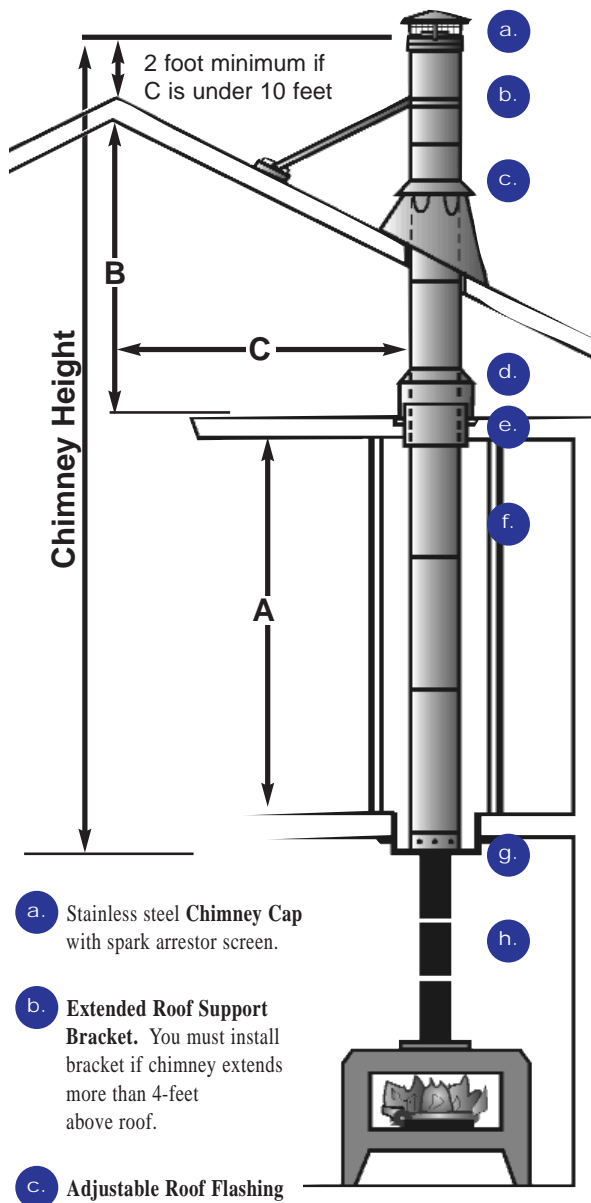


ONE-STORY HOUSE WITH ATTIC
Chimney is supported by ceiling.



CHIMNEY WITH A PAIR OF OFFSET ELBOWS
Elbows interfere with draft, so avoid them if possible. Use no more than one pair.

How to Plan, Measure & Install a Firesafe Dura/Plus Chimney System



- a. Stainless steel Chimney Cap with spark arrestor screen.
- b. Extended Roof Support Bracket. You must install bracket if chimney extends more than 4-feet above roof.
- c. Adjustable Roof Flashing with Storm Collar. Flashing holds chimney centered on roof hole and seals the hole.
- d. Attic Insulation Shield. This shield keeps flammable attic insulation safely away from the chimney.
- e. Firestop Radiation Shield. It keeps chimney centered between joists. (Necessary only for multiple story houses.)
- f. Firesafe Enclosure. Chimney must be enclosed where it passes through occupied area, including closets. Minimum 2 inch clearance and between chimney and enclosure.
- g. Black Chimney Support Box. Support box extends 2" below ceiling.
- h. Stovepipe. Always use 24 gauge black single-wall stovepipe or DVL double wall stovepipe. Required by fire and building codes.

Example uses installation on left

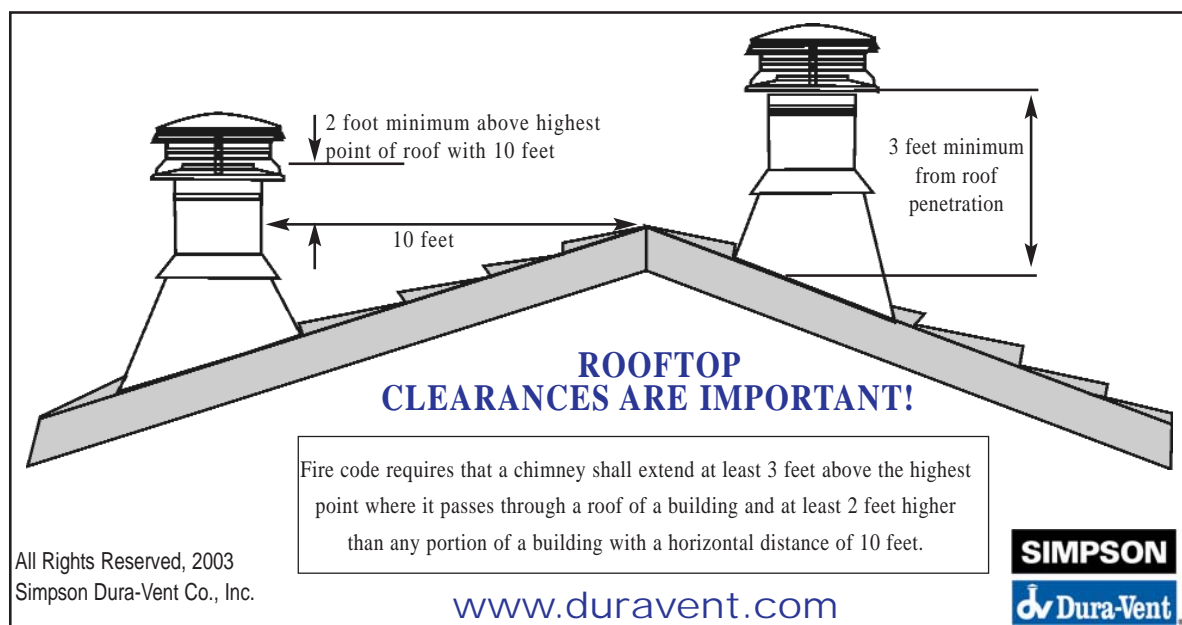
1. First you must find the fixed position of chimney's centerline from the stove collar up through the two ceilings and the roof. Start by dropping a plumb line from ceiling to center of stove collar. (Keep in mind that your stove should be placed so the chimney will be centered between joists.) Repeat this procedure to find out where the chimney will penetrate attic floor and roof.
2. Now determine height of chimney from bottom of chimney support box to roof. See EXAMPLE on how to figure the number and length of chimney sections needed. To do this, add *A plus B plus* attic floor thickness *plus* roof thickness *plus* ceiling thickness *plus* 2-inches. (Chimney support box extends 2-inches below first-floor ceiling.)
3. To determine height of chimney above the roof, measure C and do a little arithmetic.
4. If C is under 10-feet, chimney must extend at least 2-feet above roof ridge.
5. If C is over 10-feet, your chimney must extend at least 3-feet above the roof, measured from high side of roof opening.
6. Knowing your chimney height, you can now figure the number and lengths of chimney sections you will need. Use the EXAMPLE below on how to figure the number and length of chimney sections needed. After selecting the appropriate chimney kit, figure the number and length of chimney sections needed.

This example uses the drawing to the left

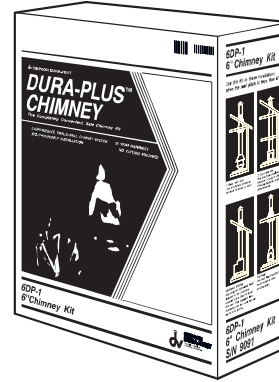
1. Assume A=8 ft., B=5 ft. and C=4 ft. Since C is under 10-ft., and your chimney must extend 2-ft or more above roof ridge.
2. To get chimney height: $8 + 5 + 2 = 15\text{ft.}$, plus 5" (for the roof thickness at ridge) plus 4" (attic floor thickness) plus 4" (ceiling thickness) plus 2" (Chimney Support Box extends 2" below your ceiling line.) The total equals 16 ft. and 3 inches or 195-inches.
3. 195 divided by 34 1/2" (This is the installed length of a 36" chimney section.) Results are 5.6 lengths of 36" chimney sections are needed.
4. You can't buy 6/10 of a chimney section, but 6/10 of 34 1/2" is 20 3/4". The installed length of a 24" chimney section is 22 1/2", so you will need a 24" length of chimney section.
5. Results - For this example you will need five-36" and one-24" length chimney sections.

DVL DOUBLE-WALL STOVEPIPE IS MORE FIRESAFE THAN SINGLE-WALL STOVEPIPE. The double-wall stovepipe is air insulated and keeps the heat in the chimney to boost stove efficiency when the weather is extremely cold. It also reduces the 18" stovepipe clearance to 6" clearance from stovepipe to combustibles, and is required by fire code for mobile homes. Single-wall Dura-Black requires 18" to combustibles.

FIRESAFE CLEARANCES FOR STOVE AND STOVEPIPE. In most cases, single-wall stovepipe must be at least 18" from combustible walls, furniture, etc. DVL double-wall stovepipe reduces this to 6". Firesafe clearances for different stoves vary, and some stoves reduce allowable stovepipe clearances. See stove manufacturers literature for details. Fire safety is peace of mind! Most parts come in convenient kits

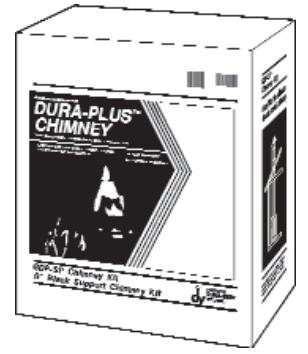


Simpson Dura-Vent Chimney Kits



Dura/Plus Basic Kit

Contents: Stainless Spark Arrestor Cap, Storm Collar, Adjustable Vented Flashing - 0/12-6/12, Insulation Shield, 11" Support Box with built-in Starter Section and Trim, 36" and 9" Dura/Plus Chimney Sections.



Black Support Kit

Contents: Stainless Spark Arrestor Cap, Storm Collar, Adjustable Vented Flashing - 0/12-6/12, 11" Support Box with built-in starter section and Trim.



Through Wall Kit

Contents: Stainless Spark Arrestor Cap, Two Wall Straps, Tee with Cap, Tee Support Bracket, Wall Thimble, 9" Dura/Plus Chimney Section.



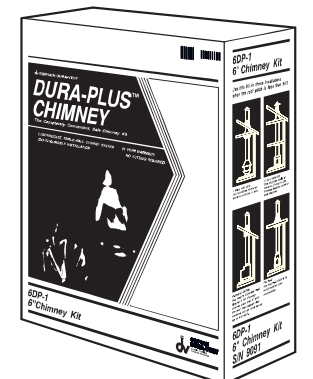
Mobile Home Kit

Contents: Stainless Spark Arrestor Cap, Storm Collar, Adjustable Vented Flashing - 0/12-6/12, Two 24" Dura/Plus Chimney Pipes, 24" Support Box with built-in Starter Section and Trim.



Dura-Black Kit

Contents: 14" Dura-Black Slip Connector, Two 24" Dura-Black Pipe Sections, Trim Collar.



Close Clearance Connector Kit

Contents: DVL Close Clearance Adapter, Two 24" DVL Double Wall Black Pipes, 12" Adjustable DVL Double Wall Black Pipe.

Pellet Vent Kit

Contents: Horizontal cap, 90° Elbow, Wall Strap, Five 1-foot Pellet Vent Chimney Sections, Tee with removable clean-out, Wall Thimble, Pipe Adapter.

4" Kit include a 3" to 4" stovetop increaser to accommodate high altitude and extreme wind conditions.

